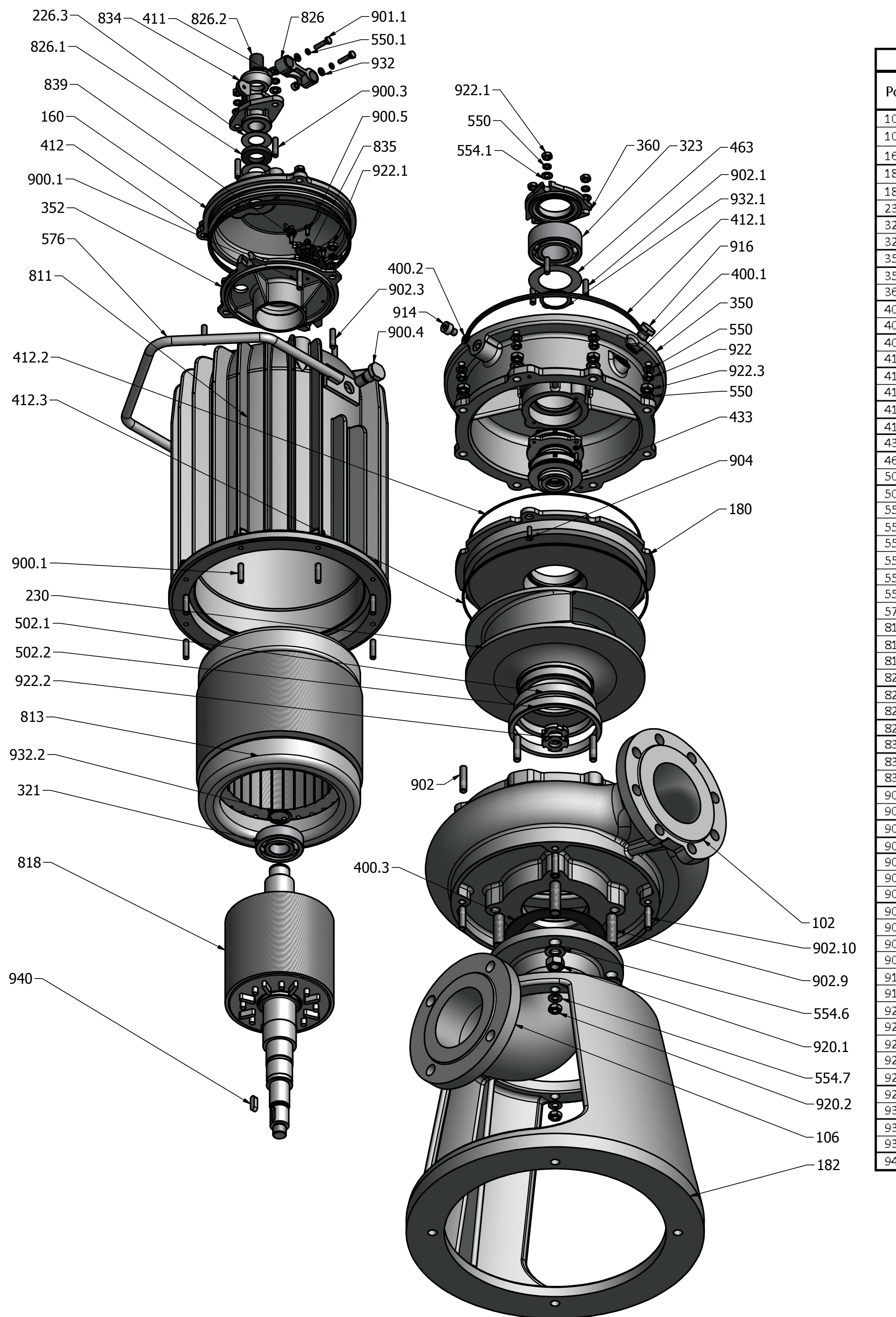
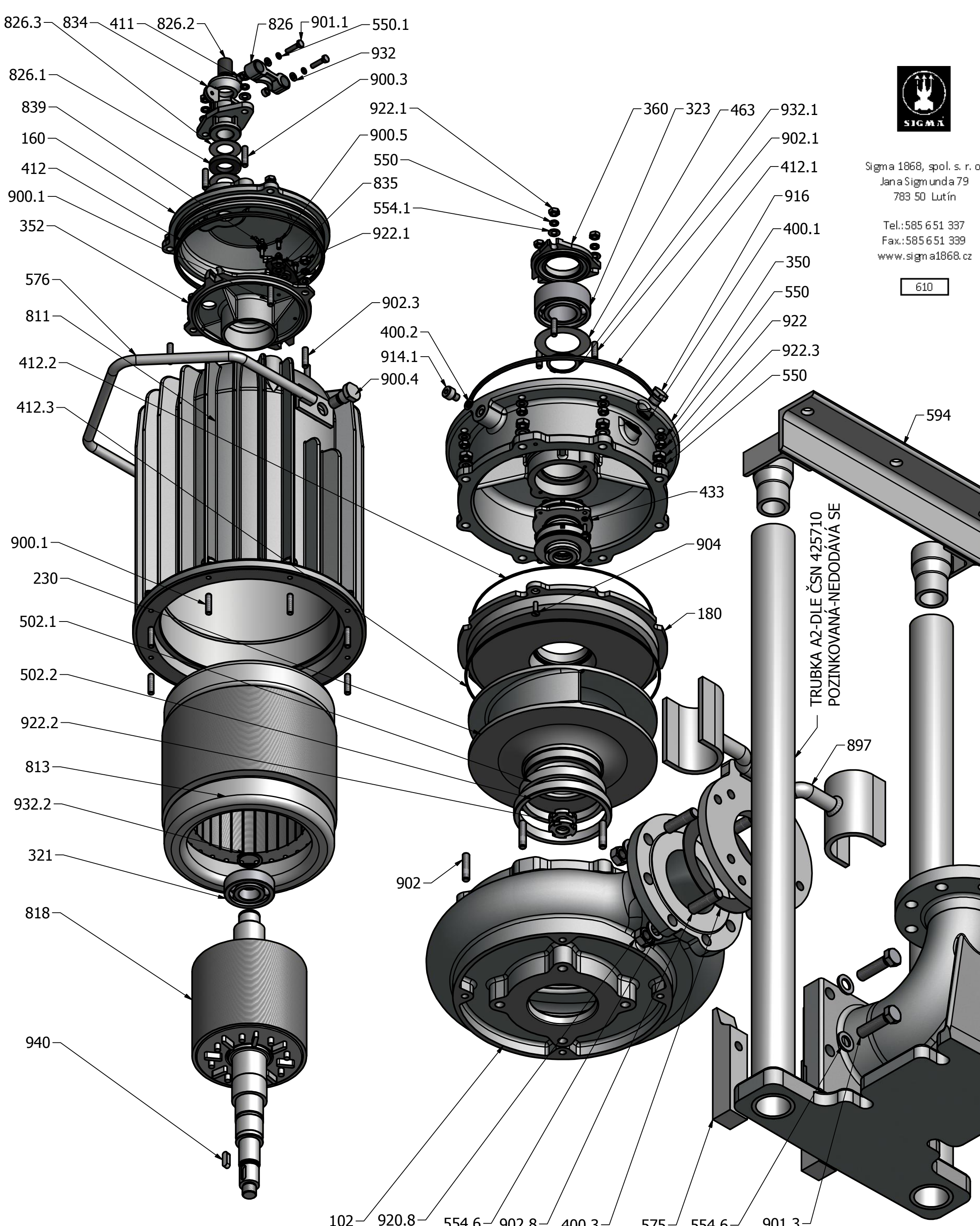


Submersible sludge pump 100 - GFHU - MH spare parts				
Position	Name	No. of stock item	No. of drawing	pc
102	VOLUTE		20-5V-0-1413	1
107	DISCHARGE ELBOW		20-5V-731-710	1
160	TERMINAL BOARD COVER		20-5V-805-979	1
180	OIL PAN BOTTOM		20-5V-804-960	1
230	IMPELLER	250	20-5V9-7085	1
266	BOLT M16x5	270	20-311-112031-6659	4
267	NUT M16		20-311-122011-6009	4
268	WASHER 16		20-311-131400-1629	4
321	BEARING UR 6306 2C3		20-324-163060-2830	1
323	BEARING UR 3208		20-324-232080-0030	1
350	LOWER BEARING HOUSING		20-5V9-9774	1
352	UPPER BEARING HOUSING		20-5V805-980	1
360	BEARING COVER		20-5V-533-957	1
400.1	WEAR RING 18X24		20-278-413104-0170	1
400.2	WEAR RING 12X18X2		20-722-81918-2120	1
400.3	RING 108X162X1,5		20-278-431215-4050	1
411	RING 5X9		20-722-811005-0090	2
412.1	RING 260 X 5		20-273-111014-8240	1
412.2	RING 250 X 3		20-273-111014-7940	1
412.3	RING 260 X 3		20-273-111014-8140	1
412	RING 200 X 5		20-273-111014-7240	1
433	MECHANICAL SEAL 22-SP-KK-28-80	UP 229	20-426-910122-8800	1
463	COVER SHEET		20-5V-537-410	1
502.1	IMPELLER SEAL RING		20-5V-519-034	1
502.2	VOLUTE JOINT RING		20-5V-518-850	1
550	WASHER 8	ČSN 02 1740.0	20-311-131400-0820	16
550.1	WASHER 6	ČSN 02 1740	20-311-131400-0619	2
554.1	WASHER 6,4	ČSN 02 1702.1	20-311-132010-0840	10
576	HANDLE		20-4V-725-953	1
811	STATOR BODY		20-5V-904-718	1
813	ELECTRIC MOTOR 4TMV 132S-2	EM BRNO	20-359-432801-7018	1
818	ROTOR 4TMV 132S-4		20-359-432801-7012	1
826	BUSHING CLIP		20-5V-527-389	1
826.1	HOSE CLIP 1744X22		20-273-111581-3640	1
826.2	BUSHING RUBBER LINER		20-273-111589-9560	1
826.3	WASHER		20-5V-584-306	2
834	BUSHING		20-5V-720-530	1
835	TERMINAL BOARD		20-5V-520-311	1
839	EARTHING TERMINAL		20-3V-517-142	2
900.1	BOLT M8 X 25		20-991-511077-7800	8
900.3	BOLT M8 X 30		20-991-511087-1300	2
900.4	HANDLE SCREW		20-991-511168-9200	2
900.5	BOLT M5X16	ČSN 02 1226.0	20-311-112260-5160	3
901.1	BOLT M6 X 25	DIN933/A2	20-311-112090-6250	11
902	BOLT M10X35		20-311-112791-0350	8
902.1	BOLT M8 X 20	ČSN 02 1176.2	20-311-112760-8209	3
902.3	BOLT M8 X 25	ČSN 02 1178.2	20-311-112780-8250	2
904	BOLT M6 X 20	ČSN 02 1151.9	20-311-112590-6200	2
914	CHECKING SCREW		20-5V-116-529	1
916	PLUG M16X1,5	DIN 910	20-991-503161-5000	1
922	NUT M8	DIN 934/A2	20-311-122910-8000	13
922.1	NUT M8	ČSN 02 1401	20-311-122010-8009	5
922.2	IMPELLER NUT		20-5V-109-685	2
922.3	NUT M10	DIN 934/A2	20-311-122911-0000	8
932	WASHER 6,4	ČSN 02 1702.1	20-311-132010-0649	2
932.1	RETAINING RING 40		20-311-733000-4000	1
932.2	RETAINING RING 30		20-311-733000-3000	1
940	KEY 6X7X5		20-311-172208-7250	1



Submersible sludge pump 100 - GFHU - SJ spare parts				
Position	Name	No. of stock item	No. of drawing	pc
102	VOLUTE		20-5V0-1413	1
106	SUCTION ELBOW		20-5V-805-990	1
160	TERMINAL BOARD COVER		20-5V-805-979	1
180	OIL PAN BOTTOM		20-5V-804-960	1
182	LANTERN BRACKET		20-5V-802137	1
230	IMPELLER	250	20-5V9-7085	1
321	BEARING UR 6306 2C3		20-324-163060-2830	1
323	BEARING UR 3208		20-324-232080-0030	1
350	LOWER BEARING HOUSING		20-5V9-9774	1
352	UPPER BEARING HOUSING		20-5V805-980	1
360	BEARING COVER		20-5V-533-957	1
400.1	WEAR RING 18X24		20-278-413104-0170	1
400.2	WEAR RING 12X18X2		20-722-81918-2120	1
400.3	RING 108X162X1,5		20-278-431215-4050	1
411	RING 5X9		20-722-811005-0090	2
412	RING 200 X 5		20-273-111014-7240	1
412.1	RING 260 X 5		20-273-111014-8240	1
412.2	RING 250 X 3		20-273-111014-7940	1
412.3	RING 260 X 3		20-273-111014-8140	1
433	MECHANICAL SEAL 22-SP-KK-28-80		20-426-910122-8800	1
463	COVER SHEET		20-5V-537-410	1
502.1	IMPELLER SEAL RING		20-5V-519-034	1
502.2	VOLUTE JOINT RING		20-5V-518-850	1
550	WASHER 8	ČSN 02 1740.0	20-311-131400-0820	16
550.1	WASHER 6	ČSN 02 1740	20-311-131400-0619	2
554	WASHER 5,3	ČSN 02 1702.1	20-311-132010-0539	11
554.1	WASHER 8,4	ČSN 02 1702.1	20-311-132010-0840	10
554.6	WASHER 16	ČSN 02 1740	20-311-131400-1629	4
554.7	WASHER 12	ČSN 02 1740	20-311-131400-1220	4
576	HANDLE		20-4V-725-953	1
811	STATOR BODY		20-5V-904-718	1
813	ELECTRIC MOTOR 4TMV 160M-4	EM BRNO 6,5KW	20-359-432801-7018	1
818	ROTOR 4 TMV 160M-4		20-359-432801-7012	1
826	BUSHING CLIP		20-5V-527-389	1
826.1	BUSHING RUBBER CLIP		20-273-111581-3640	1
826.2	BUSHING LINER		20-273-111589-9560	1
826.3	WASHER		20-5V-584-306	2
834	BUSHING		20-5V-720-530	1
835	TERMINAL BOARD		20-5V-520-311	1
839	EARTHING TERMINAL		20-3V-517-142	2
900.1	BOLT M8 X 25		20-991-511077-7800	11
900.3	BOLT M8 X 30		20-991-511087-1300	2
900.4	HANDLE SCREW		20-991-511168-9200	2
900.5	BOLT M5X16	ČSN 02 1226.0	20-311-112260-5160	3
901.1	BOLT M6 X 25	DIN 933/A2	20-311-112090-6250	11
902	BOLT M10 X 35		20-311-112791-0350	8
902.1	BOLT M8 X 20	ČSN 02 1176.2	20-311-112760-8209	3
902.3	BOLT M8 X 25	ČSN 02 1178.2	20-311-112780-8250	2
902.9	BOLT M 16 X 50	ČSN 02 1176	20-311-112761-6500	4
902.10	BOLT M 12 X 35	ČSN 02 1176	20-311-112761-2350	4
904	BOLT M6 X 16	ČSN 02 1151.9	20-311-112590-6200	2
914	CHECK SCREW		20-5V-116-529	1
916	PLUG M16X1,5	DIN 910	20-991-503161-5000	1
920.1	NUT M16	ČSN 02 1401.2	20-311-122011-6009	4
920.2	NUT M12	ČSN 02 1401.2	20-311-122011-2009	4
922	NUT M8	DIN 934/A2	20-311-122910-8000	13
922.1	NUT M8	ČSN 02 1401	20-311-122010-8009	5
922.2	IMPELLER NUT		20-5V-109-685	2
922.3	NUT M10	DIN 934/A2	20-311-122911-0000	8
932	WASHER 6,4	ČSN 02 1702.1	20-311-132010-0649	2
932.1	RETAINING RING 40		20-311-733000-4000	1
932.2	RETAINING RING 30		20-311-733000-3000	1
940	KEY 8X7X5		20-311-172208-7250	1



Sigma 1968, spol. s r. o.
Jana Sigmundova 79
783 50 Lutín
Tel.: 585 651 337
Fax: 585 651 339
www.sigma1968.cz

610

Submersible sludge pump 100 - GFHU - SZ spare parts				
Position	Name	No. of stock item	No. of drawing	pc
102	VOLUTE		20-5V0-1413	1
107	DISCHARGE ELBOW		20-5V-807-213	1
160	TERMINAL BOARD COVER		20-5V-805-979	1
180	OIL PAN BOTTOM		20-5V-804-960	1
230	IMPELLER	250	20-5V9-7085	1
247	RING 89X130X1,5		20-278-431515-3900	1
321	BEARING UR 6306 2C3		20-324-163060-2830	1
323	BEARING UR 3208		20-324-232080-0030	1
350	LOWER BEARING HOUSING		20-5V9-9774	1
352	UPPER BEARING HOUSING		20-5V805-980	1
360	BEARING COVER		20-5V-533-957	1
400.1	WEAR RING 18X24		20-278-413104-0170	1
400.2	WEAR RING 12X18X2		20-722-81918-2120	1
400.3	WEAR RING 462X108X1,5		20-278-431215-4050	1
411	RING 5X9		20-722-811005-0090	2
412.1	RING 260 X 5		20-273-111014-8240	1
412.2	RING 250 X 3		20-273-111014-7940	1
412.3	RING 260 X 3		20-273-111014-8140	1
412	RING 200 X 5		20-273-111014-7240	1
433	MECHANICAL SEAL 22-SP-KK-28-80	UP 229	20-426-910122-8800	1
463	COVER SHEET		20-5V-537-410	1
502.1	IMPELLER SEAL RING		20-5V-519-034	1
502.2	VOLUTE JOINT RING		20-5V-518-850	1
550	WASHER 8	ČSN 02 1740.0	20-311-131400-0820	16
550.1	WASHER 6	ČSN 02 1740	20-311-131400-0619	2
554	WASHER 5,3	ČSN 02 1702.1	20-311-132010-0539	8
554.1	WASHER 8,4	ČSN 02 1702.1	20-311-132010-0840	10
554.6	WASHER 16	ČSN 02 1740	20-311-131400-1629	4
576	BACKPLATE		20-5V-538-449	2
576	HANDLE		20-4V-725-953	1
594	GUIDE PIPE CLAMP		20-426-910721-5310	1
811	STATOR BODY		20-5V-904-718	1
813	ELECTRIC MOTOR 4T MV 160M-4	EM BRNO	20-359-432801-7018	1
818	ROTOR 4 TMV 160M-4		20-359-432801-7012	1
826	BUSHING CLIP		20-5V-527-389	1
826.1	BUSHING RUBBER LINER		20-273-111581-3640	1
826.2	BUSHING LINER		20-273-111589-9560	1
826.3	WASHER		20-5V-584-306	2
834	BUSHING		20-5V-720-530	1
835	TERMINAL BOARD		20-5V-520-311	1
839	EARTHING TERMINAL		20-3V-517-142	2
897	LOWERING GEAR FLANGE		20-426-910726-3630	1
900.1	BOLT M8 X 25		20-991-511077-7800	11
900.3	BOLT M8 X 30		20-991-511087-1300	2
900.4	HANDLE SCREW		20-991-511168-9200	2
900.5	BOLT M5X16	ČSN 02 1226.0	20-311-112260-5160	3
901.3	BOLT M16X 60	ČSN 02 1103.1	20-311-112031-6650	4
901.1	BOLT M6 X 25	DIN 933/A2	20-311-112090-6250	2
902	BOLT M10 X 35		20-311-112791-0350	8
902.1	BOLT M8 X 20	ČSN 02 1176.2	20-311-112760-8209	3
902.3	BOLT M8 X 25	ČSN 02 1178.2	20-311-112780-8250	2
902.9	BOLT M16 X 45	ČSN 02 1174.1	20-311-112741-6450	4
904	BOLT M6 X 20	ČSN 02 1151.9	20-311-112590-6200	2
914.1	CHECK SCREW		20-5V-116-529	1
916	PLUG M16X1,5	DIN 910	20-991-503161-5000	1
920.8	NUT M16		20-311-122011-6009	4
922	NUT M8	DIN 934/A2	20-311-122910-8000	13
922.1	NUT M8	ČSN 02 1401	20-311-122010-8009	5
922.2	IMPELLER NUT		20-5V-109-685	2
922.3	NUT M10	DIN 934/A2	20-311-122911-0000	8
932	WASHER 6,4	ČSN 02 1702.1	20-311-132010-0649	2
932.1	RETAINING RING 40		20-311-733000-4000	1
932.2	RETAINING RING 30		20-311-733000-3000	1
940	KEY 8X7X5		20-311-172208-7250	1