



Submersible Sludge & Sewage Pumps

32-GFTU

Application

Submersible sludge & sewage pump 32-GFTU is destined for pumping polluted wastewater, faeces and sludge of max. 10 % of gross content of non-abrasive solids containing small fragmentary and fibrous stuffs as paper, street washoffs, or a lesser amount of dirt, ash, sand, small pieces of wood, and so on.

Max. temperature of a pumped liquid 40°C

Max. temperature of working environment 40°C

Permissible scope of pH

of a pumped liquid from 6.5 to 7.5 pH

Max. density of a pumped liquid 1,050 kg.m⁻³

Max. submersion of a pump set

at density of 1000 kg.m⁻³ 10 m

Thanks to service simplicity, reasonable size and easy handling it is advantageous for using in one-family houses, gardens, weekend houses, and so on. However, they are of use in industrial installations, namely for pumping from those spaces where the pumps of bigger sizes cannot be used.

These pumps cannot be operated in explosion hazard environments!

Supply electric cable cannot come in contact with water containing oils and hydrocarbons!

Design

Vertical single stage pump 32-GFTU is attached to an electric motor through the common shaft, so they form only one close-coupled unit. The electric motor rotor is supported on oil-lubricated rolling-contact bearings.

Built-in electric motor is of asynchronous, AC type. Supply cable is thoroughly tightened from penetration of a pumped liquid in a special cable entry bush. From penetration of a pumped liquid from the hydraulic part the electric motor is protected by a mechanical seal with permanent flameproof oil enclosure and lubricated from an oil pan.

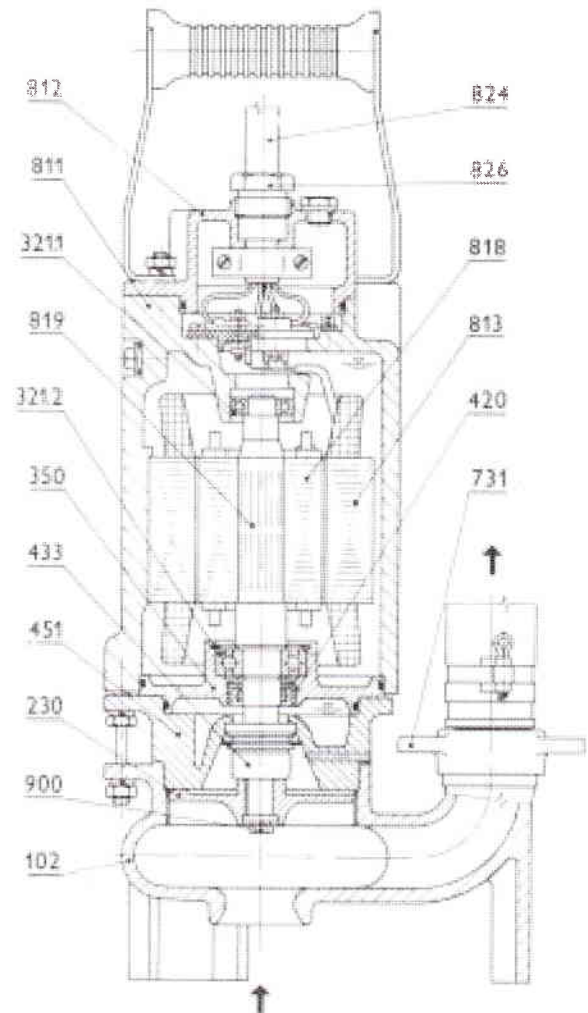
Material Versions

Main parts of the pump are of the following construction materials:

Impeller	-	grey cast iron
Pump casing	-	grey cast iron
Stator body	-	aluminium alloy
Shaft	-	stainless steel
Mechanical seal	-	sintered carbide
Wear o-rings	-	rubber

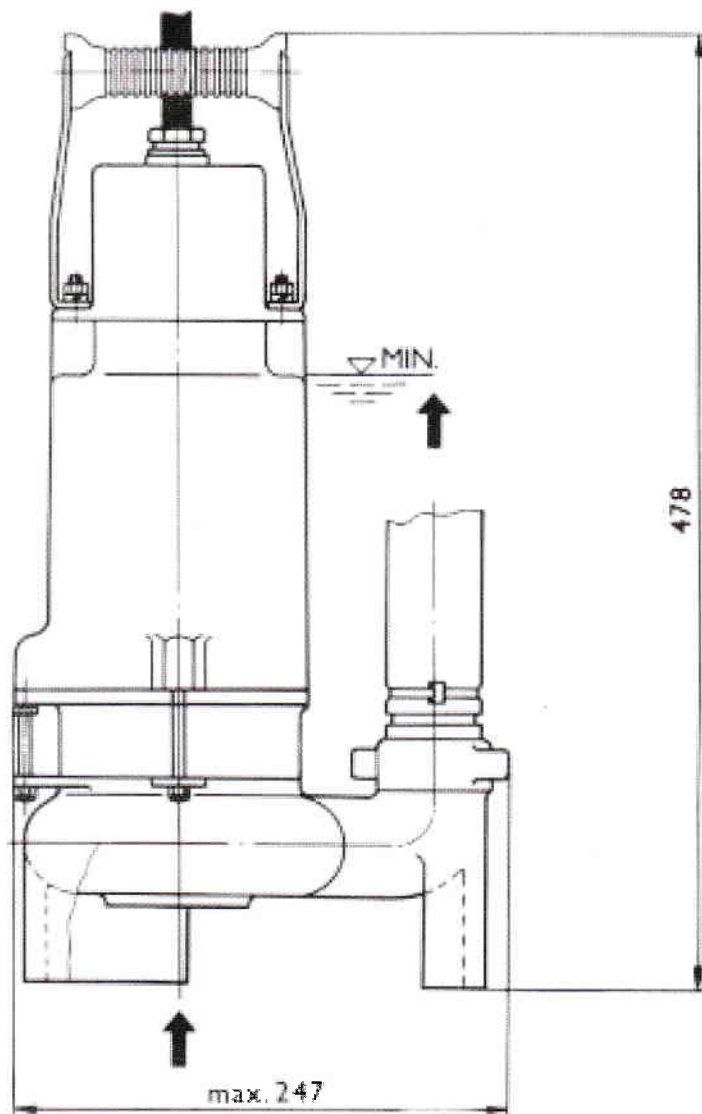
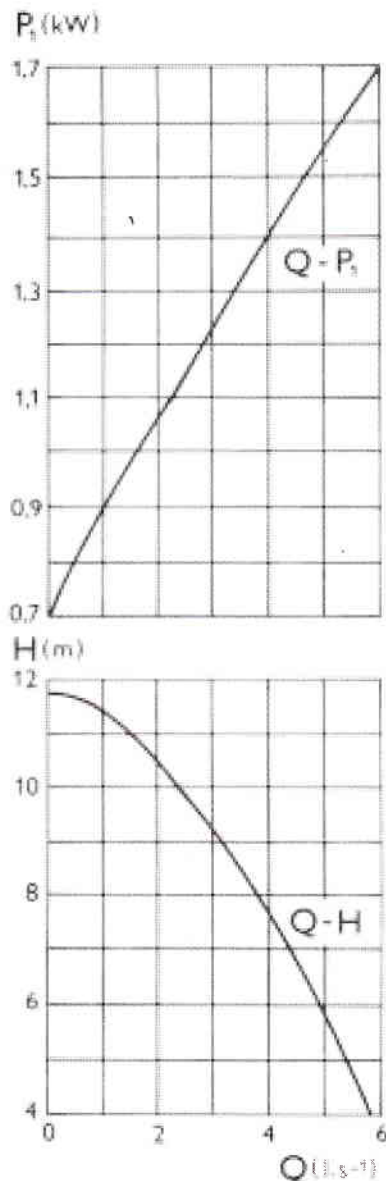
Accessories and Equipment

1. Connecting cable (motor – circuit breaker) in length of 10 m.
2. Open-phase circuit breaker (2.5 –4A)
3. Cable (circuit breaker – network) in length of 3 m.
4. Plug of the type IV 1643



Numbering positions according to the DIN 24 250

102	-	Volute
230	-	Impeller
321.1	-	Bearing
321.2	-	Bearing
350	-	Bearing housing
420	-	Radial shaft lip seal "gufero"
433	-	Mechanical seal
451	-	Oil pan
811	-	Stator body
813	-	Electric motor stator
818	-	Electric motor rotor
819	-	Shaft
900	-	Impeller screw
812	-	Terminal board cover
824	-	Cable
826	-	Gland bolt



Technical Data

Pump Model			32-GFTU-105-70
Impeller			torque-flow
Pump clearness /throughput rate		(mm)	∅ 27
Discharge branch			DN32 with external thread G1½"
Electric motor			Definite-purpose motor
Rated power output	P ₂	(kW)	1.1
Insulation and protection			Class F IP 68 ∇ 10 m
Voltage	U	(V)	400
Frequency	f	(Hz)	50
Number of phases			3
Breaking / tripping current	I	(A)	3.0
Speed	n	(min ⁻¹)	2,840
Connecting cable (motor, circuit breaker)	H07 RN-F	(mm ²)	4x1,5
Cable (circuit breaker – network)	CGSG	(mm ²)	4x0.75
Weight without accessories	m	(kg)	17

SIGMA 1868 spol. s r.o.
 J. Sigmunda 79
 783 50 Lutín
 Czech Republic



tel.: +420 585 651 302
 fax: +420 585 651 339
 www.sigmapumpy.com
 www.sigma1868.cz

0209